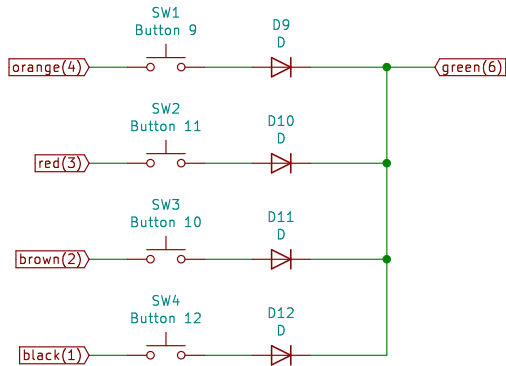


Custom coloured cable to main board on J2

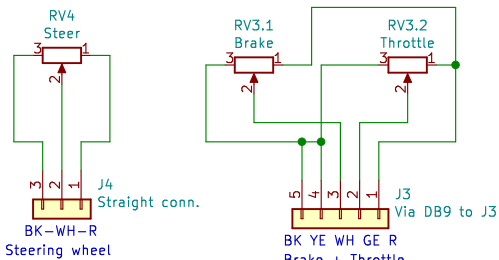
J11 to MAIN board at J2

USB connector to main board on J1

Flat cable (J5 -> J10 => J11)
pins: 1,2,3,4,6

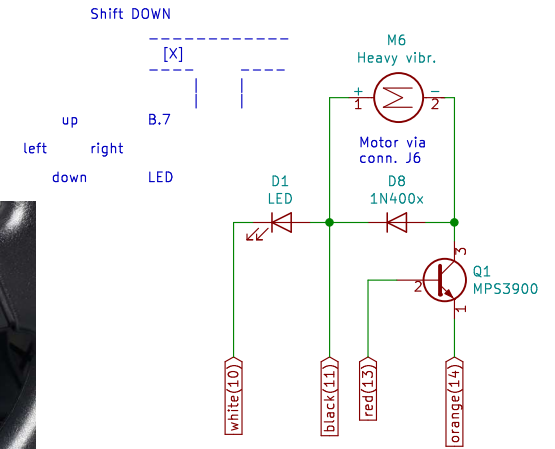
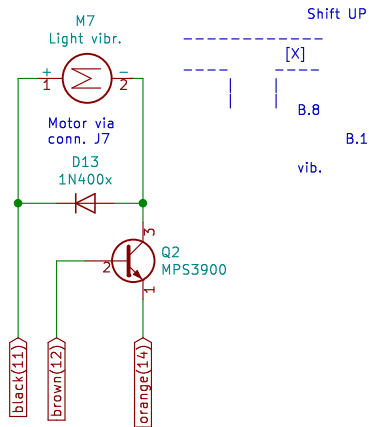


[B.9 B.10]
[B.11 B.12]

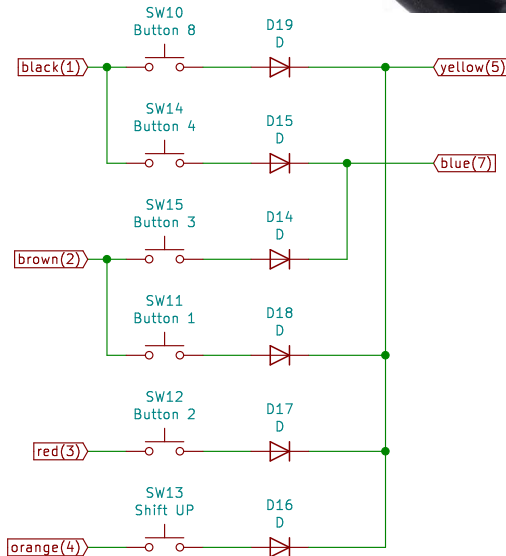


BK-WH-R
Steering wheel

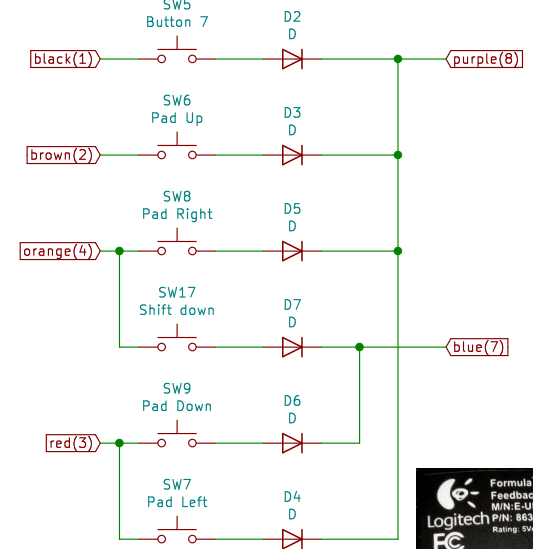
BK YE WH GE R
Brake + Throttle



Flatcable (J7 -> J9 => J11)
pins: 1,2,3,4,7,8,10,11,13,14



Pins	Signal
11	+5V
14	GND
12,13	ctrl. motor
10	LED
9	vibr. button
1,2,3,4	Sense
5,6,7,8	Mux



Arashi Projects

Sheet: /
File: Racing Wheel.sch

Title: Logitech Racing Wheel with Force Feedback

Size: A4 Date: 13/08/2019
KiCad E.D.A. kicad (5.1.2)-2

Rev: R1
Id: 1/1